

5-1/8" 10M Outlet
To HP Piping
BX-169 Gasket

4-1/16" 10M Outlet
To Pulsation Dampener
BX-155 Gasket

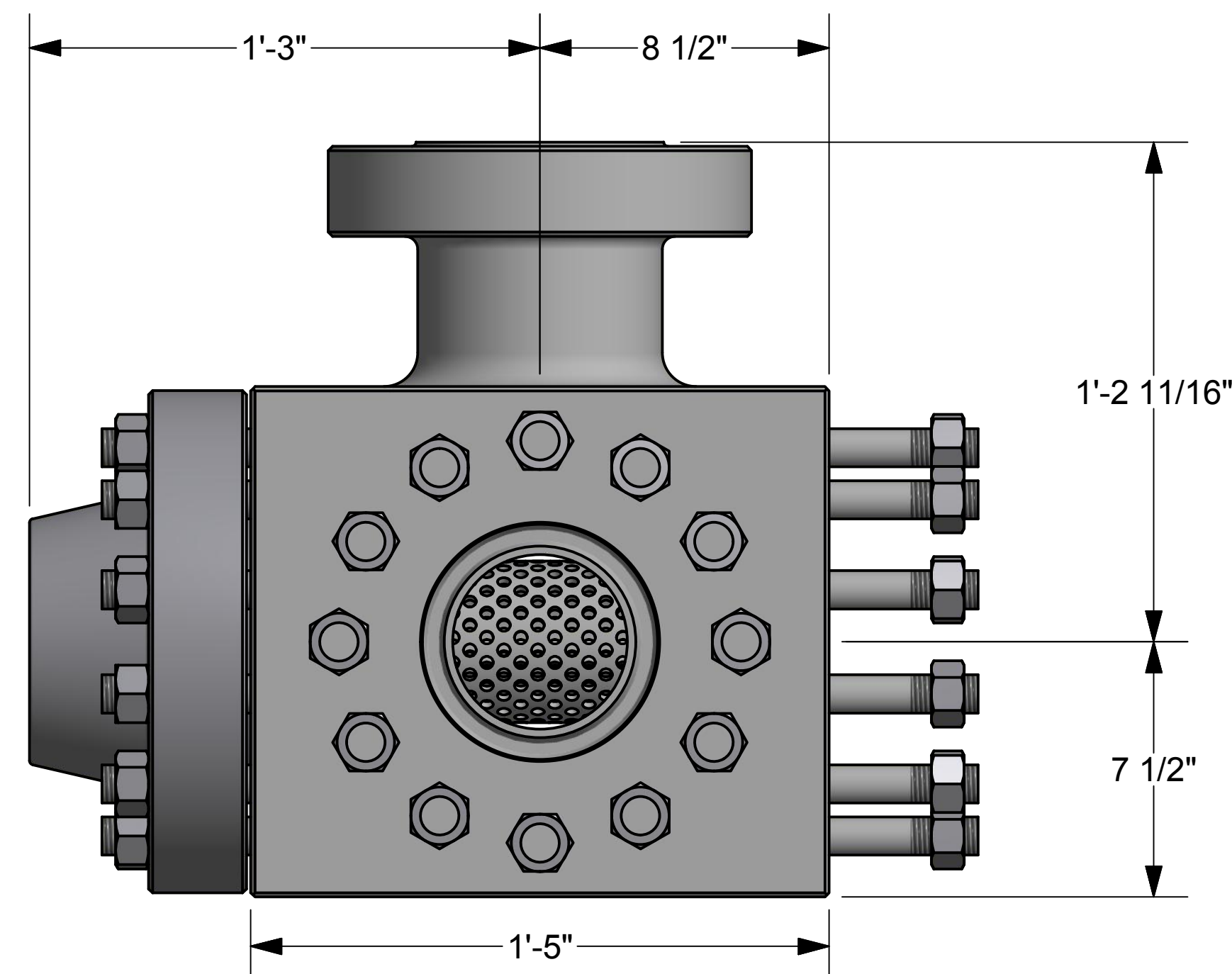
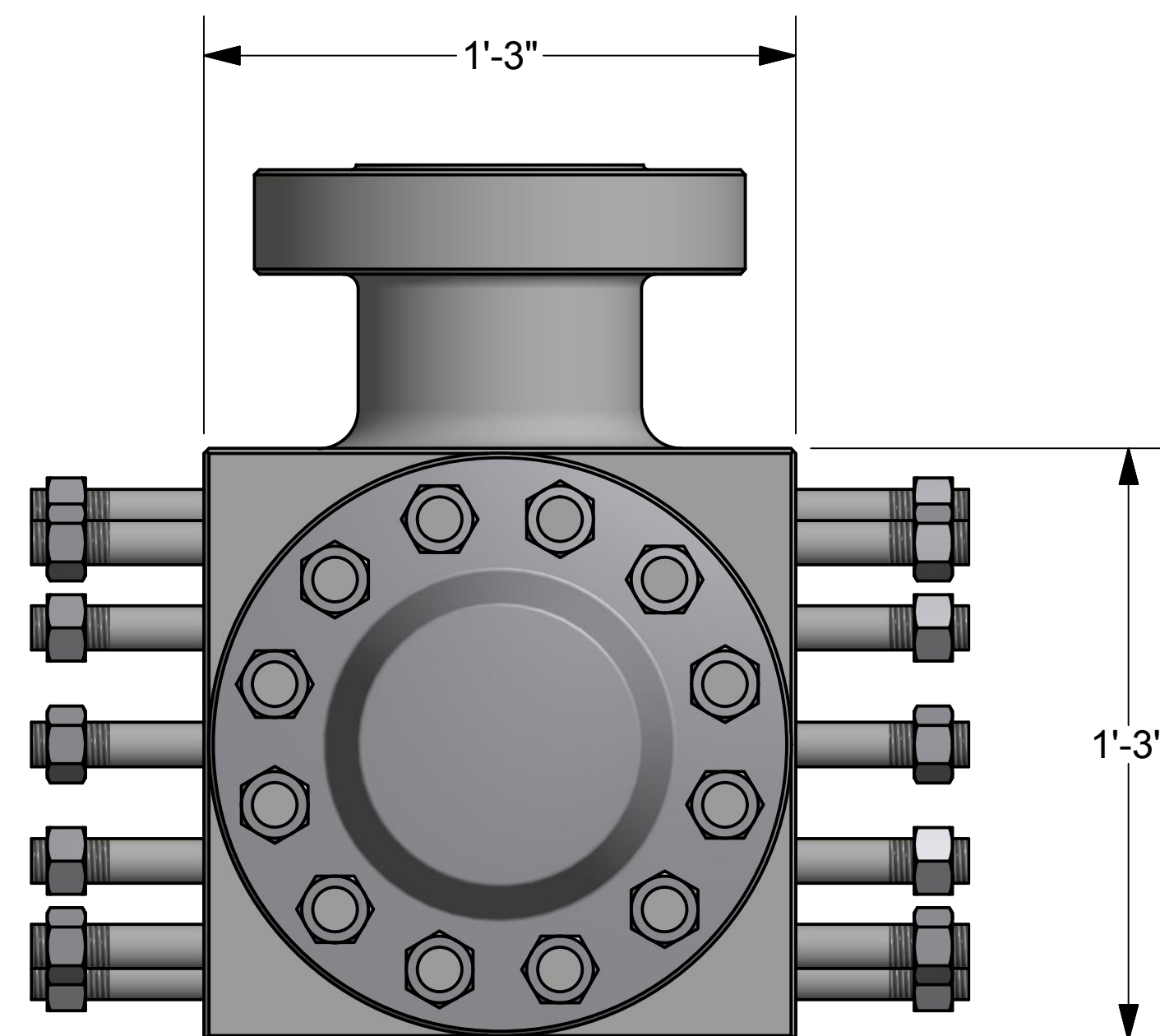
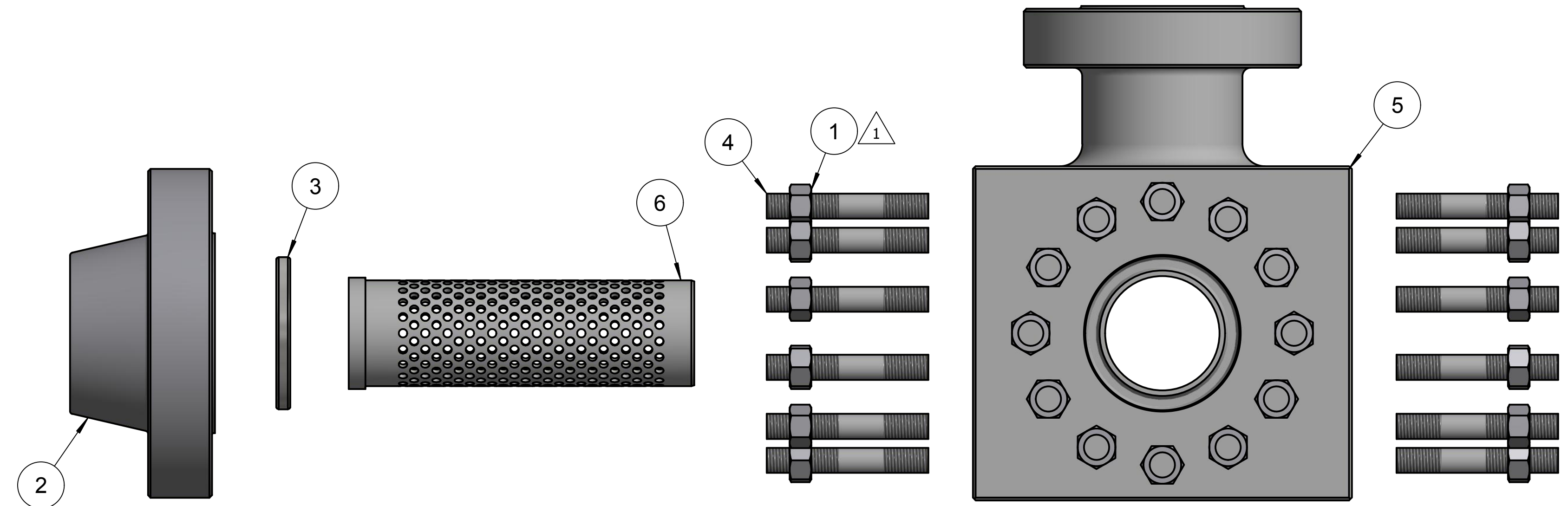
5-1/8" 10M Inlet
From Discharge Manifold
BX-169 Gasket

5-1/8" 10M Outlet
To HP Piping
BX-169 Gasket

Blank Face

5-1/8" 10M Screen Port
Blind Flange Only
BX-169 Gasket

PARTS LIST				DESCRIPTION
ITEM	QTY	PART NUMBER		
1	48	10209		Fastener, Nut, Heavy Hex, 1 1/8"-8 unc, A194 Grade 2H, Xylan-Blue
2	1	10653		Flange, RTJ, 5 1/8" ~ 10K, Blind, 4130 75K H2S, M/C DD-NL, T/C P+U, API 6A, PSL 1
3	1	10791		Gasket, Ring Joint, BX-169, Carbon Steel
4	48	12775		Fastener, Stud, 1 1/8"-8 unc, A193 Grade B7, Xylan-Blue, 6" Long
5	1	12906		Block, Strainer 5 Way, 5 1/8" ~ 10K Cross x 4 1/16" ~ 10K PD Flanget, 4130 75K H2S, M/C DD-NL, T/C P+U, API 6A, PSL 1
6	1	12907		Screen, Strainer, 4 3/4" x 4 1/4", 4130 75K H2S, M/C DD-NL, T/C P+U
SHIP LOOSE (ITEMS NOT SHOWN)				
ITEM	QTY	PART NUMBER		DESCRIPTION
A	1	10787		Gasket, Ring Joint, BX-155, Carbon Steel
B	3	10791		Gasket, Ring Joint, BX-169, Carbon Steel



REV	DESCRIPTION	DATE	BY	APPROVED
1	REVISED STUD LENGTH	11/30/15	SS	RN
0	ISSUED FOR CONSTRUCTION	10/19/15	SS	RN

REVISION HISTORY			
DRAWN	SS	HP PIPING SOLUTIONS, LLC.	
CHECKED		TITLE	
QA		PART # 12908 - 5-1/8" 10M Discharge Strainer Block Assembly	
MFG		SIZE	DWG NO
PROJECT MANAGER		D	12908
Office#	832.582.8898	SCALE	
Fax#	832.582.8893		REV
President:	832.582.8893		1
www.hppsolutions.com		SHEET 1 OF 1	