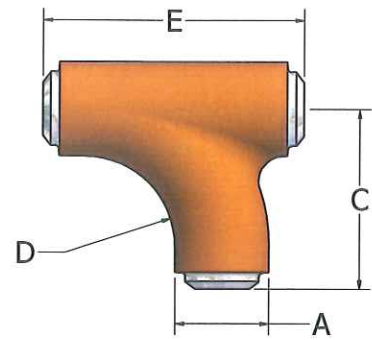
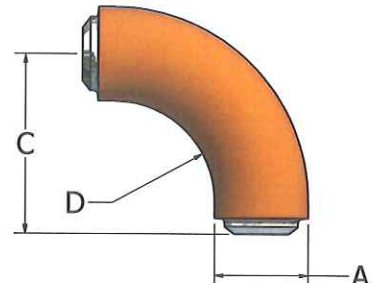


PPF & FORUM FITTINGS

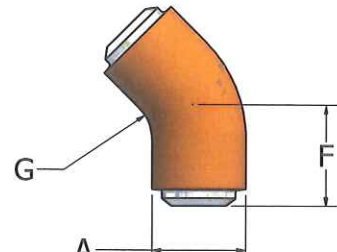
PPF MANIFOLD FITTINGS											
SIZE	A	B	C	D	E	F	G	H	J	K	PSI
2"	3.75	16.00	8.00	4.25	11.75	2.50	3.25			-	10K
3"	5.13	22.00	11.00	5.13	16.00	3.13	2.56	14.00	4.06	4.44	10K
4"	5.75	22.00	11.00	5.50	16.00	6.38	2.63	14.00	3.75	4.13	10K
5"	6.88	24.00	12.00	6.00	19.00	6.75	5.56	16.00	3.88	4.56	7.5K



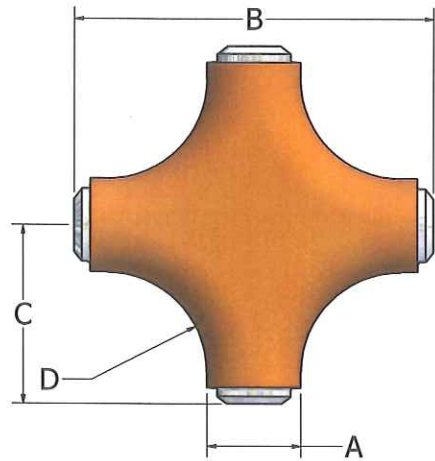
Long Sweep Tee



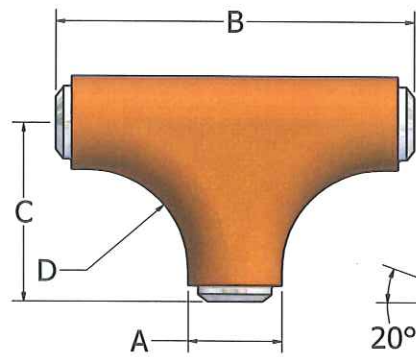
90° Long Sweep Ell



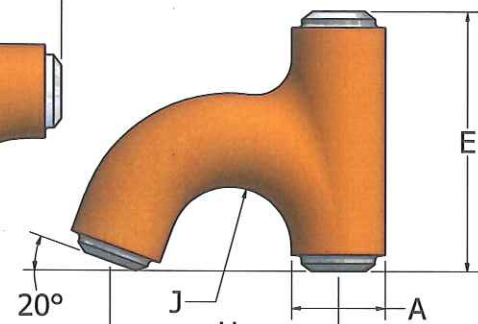
45° Long Sweep Ell



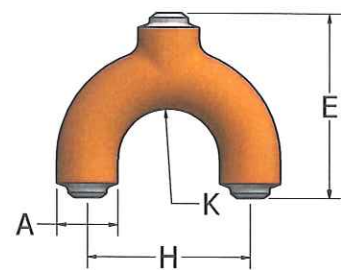
Long sweep Full Flow Cross



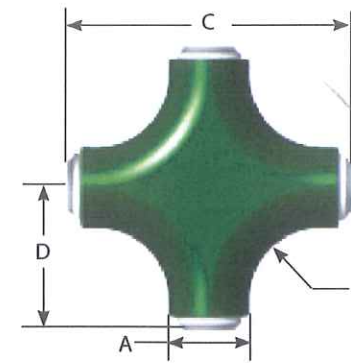
Long Sweep Full Flow Tee



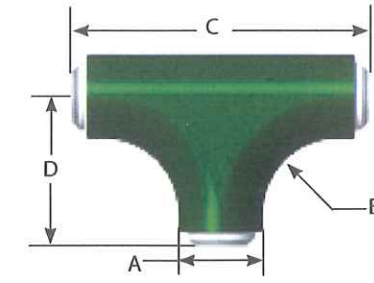
160° Standpipe Gooseneck w/ Top Outlet



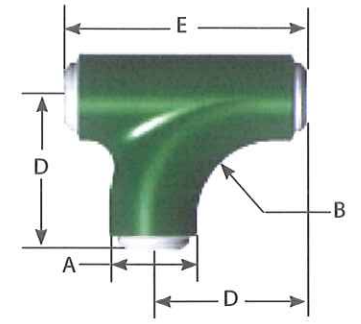
Long Sweep Y (offered only in 2")



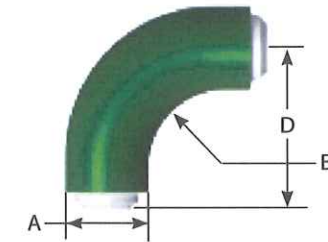
(0) Long Sweep Full Flow Cross



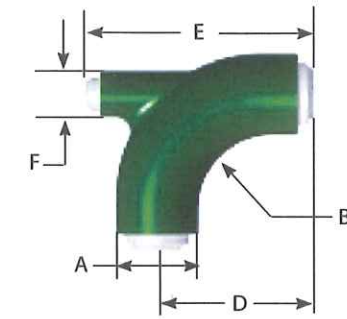
(1) Long Sweep Full Flow Tee



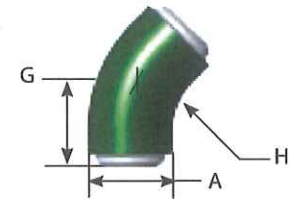
(2) Long Sweep Tee



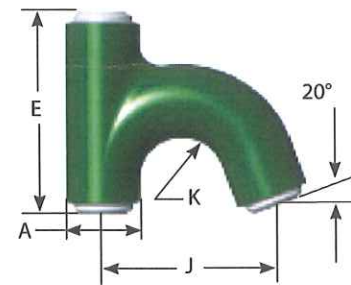
(3) 90° Long Sweep Ell



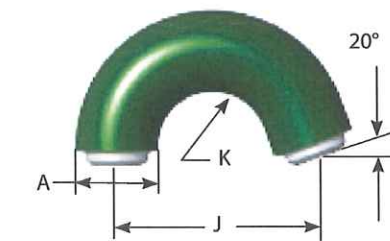
(4) 90° Long Sweep Ell w / 2" Outlet



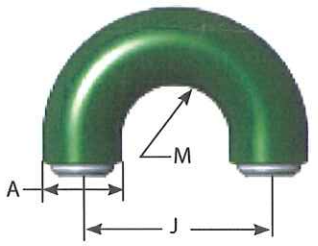
(5) 45° Long Sweep Ell



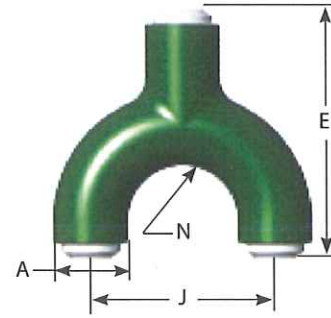
(6) 160° Standpipe Gooseneck w / Top Outlet



(7) 160° Standpipe Gooseneck



(8) 180° Standpipe Gooseneck



(9) Long Sweep Y

The PPF Manifold Fittings are available in seven standard configurations which are prepped for XXH butt weld connections. Sizes come in 2", 3", 4" & 5" in most configurations. Material is ASTM A487 Grade 4B, 85 KSI MYS. The working pressure rating for 2", 3" & 4" is 10,000 PSI and 15,000 PSI test pressure. The working pressure rating for 5" is 7,500 PSI and 11,250 PSI test pressure.

Nom Size	A	B	C	D	E	F	G	H	J	K	M	N
2"	3.75	4.25	16.00	8.00	-	-	2.50	3.25	-	-	-	-
3"	5.13	5.13	22.00	11.00	16.00	3.25	3.13	2.56	14.00	4.06	-	4.44
4"	5.75	5.50	22.00	11.00	16.00	3.25	6.38	2.63	14.00	3.75	4.00	4.13
5"	6.88	6.00	24.00	12.00	19.00	3.25	6.75	5.56	16.00	3.88	-	4.56